



MEAS M5600

ワイヤレス圧カトランスデューサ

- デジタル 24-bit ADC 出力, I²C プロトコル
- Bluetooth[®] 4.0 によるワイヤレス接続
- さまざまな圧力ポートでCE準拠
- コンパクトなバッテリー式 [CR2050]
- オプションのステンレススチール製スナバ(緩衝器)
- 耐環境性IP66/IP67
- FCC 認証取得(米国連邦通信委員会)
- ステンレススチールとポリカーボネートの筐体
- ゲージ圧、シールドゲージ圧、コンパウンドゲージ圧(連成圧)
- iOS, Android™ およびWindows[®] XP/7+ 対応

特徴

- 重工業用 CE 承認
- 10 V/m 電磁妨害(EMI)保護
- 圧力精度±0.25%
- 合計誤差帯域±1.0%
- 温度出力精度±3°C
- 温度補償-10°C ~+60°C
- 使用温度-20°C ~+85°C

アプリケーション

- 工業プロセス制御とモニタリング
- 高度な冷暖房空調換気システム
- 冷却システム
- 自動車テストスタンド
- オフロード車両
- ポンプとコンプレッサ
- 油圧/空気圧システム
- 農業機械
- エネルギー生成と管理

当社の Microfused ラインの Modular M5600 wireless pressure transducer はステンレススチールとポリカーボネートの筐体の中に収納されています。この高精度な 24-bit ADC digital output wireless transducer はハードケーブル配線を排除して、リモートのプロセス制御を提供し、Bluetooth[®] 4.0 のワイヤレス通信によるリモートのプロセス制御とモニタリングを行います。このシリーズは液体または気体圧力の測定に適し、さらに、例えば、汚染水、蒸気、および軽度の腐食性の液体のような困難な媒体にも適しています。

圧力ポートの接液面の材質は 316L ステンレススチールを採用しています。そのため、当社の Microfused ラインのトランスデューサは耐久性に優れており、o-ring や圧力媒体に露出される有機物がありません。M5600 は全天候性で最新の重工業用 CE 要件を満たしています。

この製品は中位から高位の数量の場合の OEM 顧客に適します。TE は数量とアプリケーションによって保証されれば、M5600 の特注設計を行う用意があります。リストに表示されていない追加の設定も利用が可能です。さらに質問があればご連絡下さい。

M5600

Wireless Pressure Transducer

Standard Ranges

Range (psi)	Range (Bar)	Gage	Sealed	Compound
0 to 050	0 to 3.5	*		*
0 to 100	0 to 007	*		*
	0 to 010	*		*
0 to 200		*		*
0 to 300	0 to 020	*		*
0 to 500	0 to 035	*		*
0 to 01k	0 to 070	*	*	*
0 to 03k	0 to 200	*	*	*
0 to 05k	0 to 350	*	*	*
0 to 10k	0 to 700	*	*	*
0 to 15k	0 to 01k	*	*	*

Intermediate ranges available upon request.

Performance Specifications

Ambient Temperature: 25°C (unless otherwise specified) For custom configurations, consult factory.

Parameters	Min	Typ	Max	Units	Notes
Supply Voltage	2.3	3	3.6	Vdc	Replaceable CR2050 battery
Accuracy	-0.25		0.25	%F.S.	RSS of linearity, hysteresis, and repeatability
Temperature Output Accuracy	-3		3	°C	
Output Protocol	Digital I ² C				
Resolution	24		Bit		
Endurance	1.00E+6				0~FS Cycles
Stability	-0.25		0.25	%F.S./year	
Total Error Band	-1		1	%F.S.	@25°C over compensated range
Proof Pressure	2X		20k psi	Rated	
Burst Pressure	3X		20k psi	Rated	
Compensated Temperature	-10		+60	°C	
Operating Temperature	-20		+85	°C	with battery
Storage Temperature	-40		+120	°C	without battery
Wireless Protocol	Bluetooth® 4.0 Wireless Connection or above				
Receiver Operating System	Android™ 4.3 or above, iOS 7 or above, Windows® XP/7 or above				
Signal Pairing Distance	65 feet				
Signal Transmission Distance	65 feet affected by receiver antenna and blocking objects				
Battery Life	2-years typical CR2050 350mAH battery, 1-year typical CR2032 210mAH battery; 5 second transmission interval				
Low Battery Warning	2.5Vdc, red battery symbol in app				
Weatherproof	IP66 & IP67				
Pressure Port Material	17-4P Stainless Steel Port, 316L Stainless Steel Snubber				
Enclosure	Stainless Steel and Polycarbonate				
Shock	50g, 11msec Half Sine Shock per MIL-STD-202G, Method 213B, Condition A				
Vibration	±20g, MIL-STD-810C, Procedure 514.2, Fig 514.2-2, Curve L				

Note:

Battery life depends on its capacity, operating temperature and signal transmission interval.

Sony Battery CR2050W or CR2032W offers high operating temperature up to 125°C.

Temperature can impact battery capacity retention even in idle. Check battery specifications for more details.

Factory default data transmission rate is 5sec, which can be adjusted from 100msec to 5sec in smartphone app or PC software.

M5600

Wireless Pressure Transducer

Compliances

EN 55022 Emissions Class A & B

IEC 61000-4-2 Electrostatic Discharge Immunity (4kV contact/8kV air)

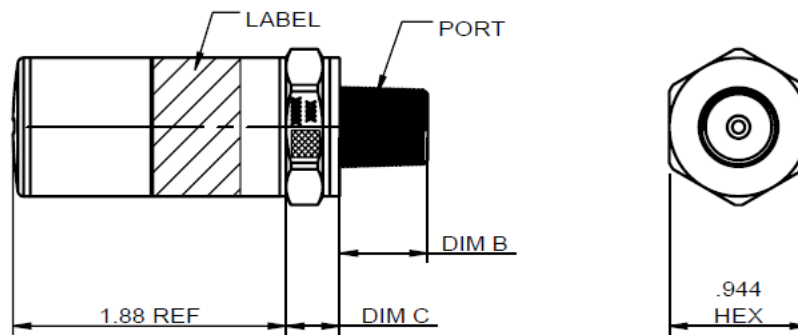
IEC 61000-4-3 Radiated, Radio-Frequency Electromagnetic Field Immunity (10V/m, 80M-1GHz); deviation <1.5%

RoHS

FCC

Bluetooth®

Dimensions [mm]



Code	Port	Dim B	Dim C Ref.
2	1/4-19 BSPP	0.472 [11.94]	0.366 [9.3]
3	G3/8 JIS B2351	0.540 [13.72]	0.366 [9.3]
4	7/16-20UNF MALE SAE J1926-2 STRAIGHT THREAD O-RING BUNA-N 90SH-904	0.433 [11.0]	0.366 [9.3]
5	1/4-18 NPT	0.600 [15.24]	0.366 [9.3]
6	1/8-27 NPT	0.390 [9.91]	0.366 [9.3]
B	G1/4 JIS B2351	0.472 [11.94]	0.366 [9.3]
E	1/4-19 BSPT	0.500 [12.7]	0.366 [9.3]
F	1/4-19 BSPP FEMALE (without snubber)	0.771 [19.58]	0.366 [9.3]
P	7/16-20UNF FEMALE SAE J513 STRAIGHT THREAD WITH INTEGRAL VALVE DEPRESSOR	0.687 [17.5]	0.366 [9.3]
Q	M10 x 1.0 mm ISO 6149-2	0.374 [9.5]	0.366 [9.3]
N	7/16-20UNF FEMALE SAE J513 STRAIGHT THREAD	0.687 [17.5]	0.366 [9.3]
S	M12 x 1.5 mm ISO 6149-2	0.433 [11.0]	0.366 [9.3]
U	G/14 DIN 3852 FORM E GASKET DIN3869-14 NBR	0.472 [11.94]	0.445 [11.3]
W	M20 x 1.5 mm ISO 6149-2	0.551 [14.0]	0.366 [9.3]
G	M14 x 1.5 mm ISO 6149-2	0.433 [11.0]	0.366 [9.3]

M5600

Wireless Pressure Transducer

How to Operate

Please refer to the [M5600 U5600 Installation Manual](#) and [M5600 U5600 Software Manual](#).

Note: Communication is max 65 feet

Ordering Information

M56	00	-	0	0	0	2	0	5	-	100P	G	
Model	00	-	0	Snubber	0	Battery	Label	Pressure Port	-	Pressure Range	Pressure Type	
M56	00	-	0 = 17-4PH	0 = No Selection 1 = Oxygen Clean B40.1 Level IV 2 = With Snubber	0	0 = Without Battery 1 = CR2032 2 = CR2050	0 = Adhesive Label 1 = Laser Marking	2 = 1/4-19 BSPP 3 = G3/8 JIS B2351 4 = 7/16-20UNF Male SAE J1926-2 Straight Thread O-Ring BUNA-N 90SH-904 5 = 1/4-18 NPT 6 = 1/8-27NPT B = G1/4 JIS B2351 E = 1/4-19 BSPT F = 1/4-19 BSPP Female P = 7/16-20UNF Female SAE J513 Straight Thread with Integral Valve Depressor Q = M10 x 1.0 mm ISO 6149-2 N = 7/16-20UNF FEMALE SAE J513 Straight Thread S = M12 x 1.5 mm ISO 6149-2 U = G1/4 DIN 3852 Form E Gasket DIN3869-14 NBR W = M20 x 1.5 mm ISO 6149-2 G = M14 x 1.5 mm ISO 6149-2	-	050P 100P 200P 300P 500P 01KP 03KP 05KP 07KP 10KP 15KP	3.5B 007B 010B 020B 035B 070B 200B 350B 500B 700B 01KB	G = Gage S = Sealed C = Compound

Note: Compound pressure range is -14.7 to xxxpsig or -1 to xxxbarg. (e.g. 200PC: -14.7 to 200psig, 020BC: -1 to 20barg)

NORTH AMERICA

Measurement Specialties, Inc.,
a TE Connectivity Company
Phone: 800-522-6752
Email: customercare.frm@te.com

EUROPE

Measurement Specialties (Europe), Ltd.,
a TE Connectivity Company
Phone: 800-440-5100
Email: customercare.lcsb@te.com

ASIA

Measurement Specialties (China), Ltd.,
a TE Connectivity Company
Phone: 0400-820-6015
Email: customercare.shzn@te.com

TE.com/sensorsolutions

Measurement Specialties, Inc., a TE Connectivity company.

Measurement Specialties, TE Connectivity, TE Connectivity (logo) and EVERY CONNECTION COUNTS are trademarks. All other logos, products and/or company names referred to herein might be trademarks of their respective owners.

The information given herein, including drawings, illustrations and schematics which are intended for illustration purposes only, is believed to be reliable. However, TE Connectivity makes no warranties as to its accuracy or completeness and disclaims any liability in connection with its use. TE Connectivity's obligations shall only be as set forth in TE Connectivity's Standard Terms and Conditions of Sale for this product and in no case will TE Connectivity be liable for any incidental, indirect or consequential damages arising out of the sale, resale, use or misuse of the product. Users of TE Connectivity products should make their own evaluation to determine the suitability of each such product for the specific application.

© 2015 TE Connectivity Ltd. family of companies All Rights Reserved.