



MINIATURE RUGGEDIZED HIGH TEMPERATURE PRESSURE TRANSDUCER

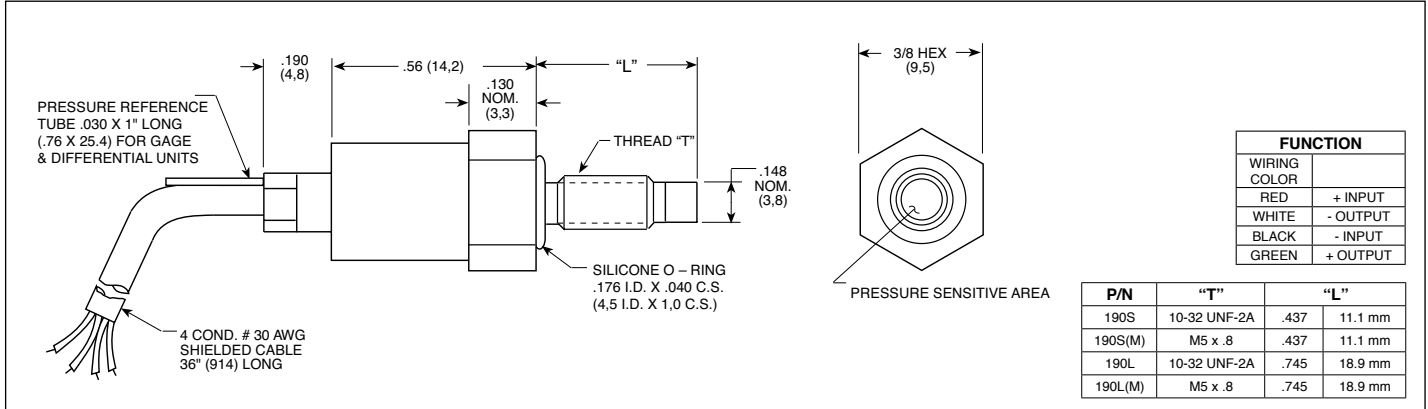
XTME-190 (M) SERIES

- Wide Temperature Capability -20°F To 450°F
- Excellent Stability
- High Natural Frequency
- Inorganically Bonded Sensor
- Robust Construction

The XTME-190 Series transducers are physically identical to the XTM-190 Series. High temperature material and assembly processes allow continuous use at maximum operating temperatures of +450°F (+232°C).



Kulite recommends the **KSC Series** of signal conditioners to maximize the measurement capability of the XTME-190 transducer.



Pressure Range	1.7 25	3.5 50	7 100	17 250	35 500	70 1000	170 2500	350 BAR 5000 PSI
Operational Mode	Absolute, Gage, Differential	Absolute, Gage, Sealed Gage, Differential			Absolute, Sealed Gage			
Over Pressure	2 Times Rated Pressure				1.5 Times Rated Pressure			
Burst Pressure	3 Times Rated Pressure to a Maximum of 6000 PSI (420 BAR)							
Pressure Media	Any Liquid or Gas Compatible With 17-4 PH or 15-5 Stainless Steel (All Media May Not Be Suitable With O-Ring Supplied)							
Rated Electrical Excitation	10 VDC							
Maximum Electrical Excitation	12 VDC							
Input Impedance	650 Ohms (Min.)							
Output Impedance	1000 Ohms (Nom.)							
Full Scale Output (FSO)	75 mV (Nom.)							
Residual Unbalance	± 5 mV (Typ.)							
Combined Non-Linearity, Hysteresis and Repeatability	±1% FSO BFSL (Typ.)							
Resolution	Infinitesimal							
Natural Frequency (KHz) (Typ.)	75	95	125	210	290	410	560	930
Acceleration Sensitivity % FS/g Perpendicular	2.3x10 ⁻³	1.4x10 ⁻³	9.6x10 ⁻⁴	6.2x10 ⁻⁴	4.3x10 ⁻⁴	3.0x10 ⁻⁴	2.1x10 ⁻⁴	1.3x10 ⁻⁴
Insulation Resistance	100 Megohm Min. @ 50 VDC							
Operating Temperature Range	-20°F to +450°F (-29°C to +232°C)							
Compensated Temperature Range	+80°F to +450°F (+25°C to +232°C)							
Thermal Zero Shift	± 3% FS/100°F (Typ.), ± 4% FS/100°F Max			± 2% FS/100°F (Typ.), ± 3% FS/100°F Max				
Thermal Sensitivity Shift	± 3% /100°F (Typ.), ± 4% /100°F Max			± 2% /100°F (Typ.), ± 3% /100°F Max				
Linear Vibration	10-2,000 Hz Sine, 20g. (Max.)							
Electrical Connection	4 Conductor 30 AWG Shielded Cable 36" Long							
Weight	8 Grams (Nom.) Excluding Cable							
Pressure Sensing Principle	Inorganically Bonded Piezoresistive Sensor							
Mounting Torque	15 Inch-Pounds (Max.) 1.7 Nm							

Note: Custom pressure ranges, accuracies and mechanical configurations available. Dimensions are in inches. Dimensions in parenthesis are in millimeters. All dimensions nominal. (Q) Continuous development and refinement of our products may result in specification changes without notice. Copyright © 2014 Kulite Semiconductor Products, Inc. All Rights Reserved. Kulite miniature pressure transducers are intended for use in test and research and development programs and are not necessarily designed to be used in production applications. For products designed to be used in production programs, please consult the factory.

三協インタナショナル株式会社 03-3662-8100

KULITE SEMICONDUCTOR PRODUCTS, INC. • One Willow Tree Road • Leonia, New Jersey 07605 • Tel: 201 461-0900 • Fax: 201 461-0990 • <http://www.kulite.com>