

**BEST OF
CLASS**



The Jewell LSB Series Accelerometer is a general-purpose $\pm 0.5G$ to $\pm 20G$ device designed for industrial, commercial and aerospace sensing requirements.

LSB Series Accelerometer Specifications

Performance

Input Range, g:	± 0.5	± 1.0	± 2.0	± 5.0	± 10.0	± 20.0
Full Range Output (FRO), volts $\pm 1\%$:	± 5.0	± 5.0	± 5.0	± 5.0	± 5.0	± 5.0
Nonlinearity, % FRO, maximum:	0.05	0.05	0.05	0.10	0.10	0.25
Scale Factor, volts/g, nominal:	10.0	5.0	2.5	1.0	0.5	0.25
Scale Factor Temp Sensitivity, PPM/ $^{\circ}C$, maximum:	200	200	200	200	200	200
Bias, g, maximum:	0.050	0.010	0.010	0.010	0.020	0.050
Bias Temperature Sensitivity, $\mu g/^{\circ}C$:	50	50	50	100	100	200
Natural Frequency, Hz, nominal:	70	100	140	100	140	160
Bandwidth (-3dB), Hz, nominal:	70	100	140	100	140	160
Input-Axis Misalignment, $^{\circ}$ maximum:	± 1	± 1	± 1	± 1	± 1	± 1
Resolution and Threshold, μg :	10	10	10	10	20	50

Applications

- Radar Leveling
- Fire Control
- Attitude Heading & Reference Systems
- Missile Orientation
- Autopilot
- Performance Testing

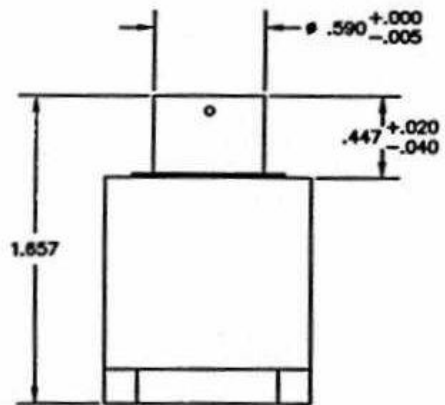
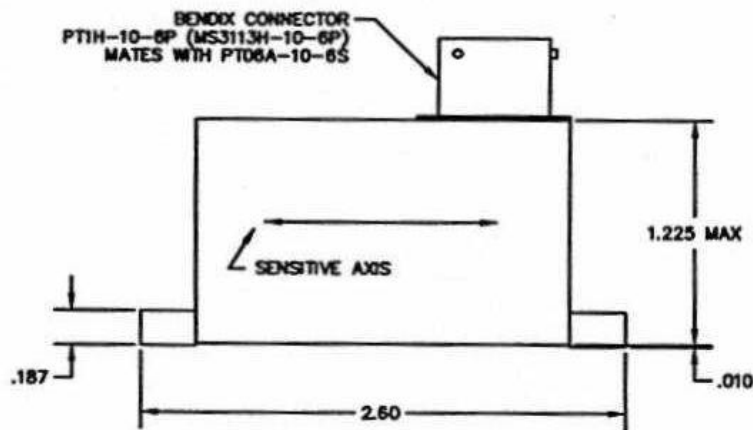
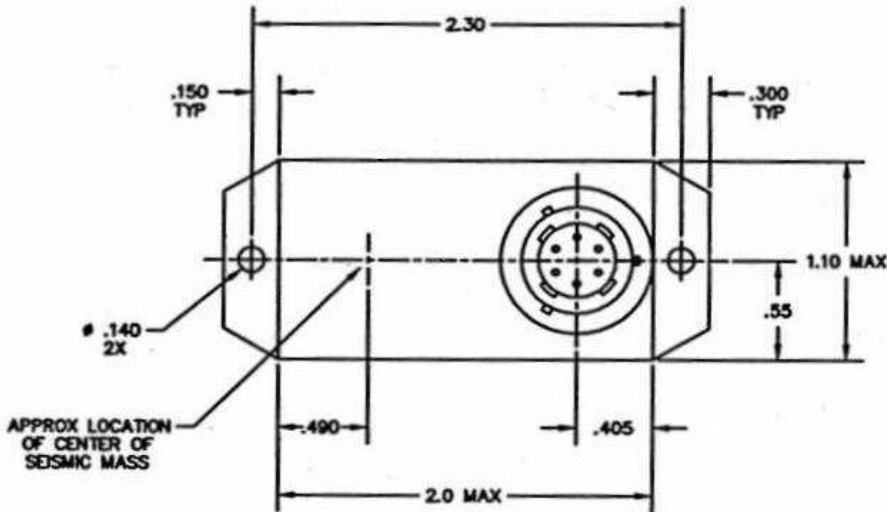
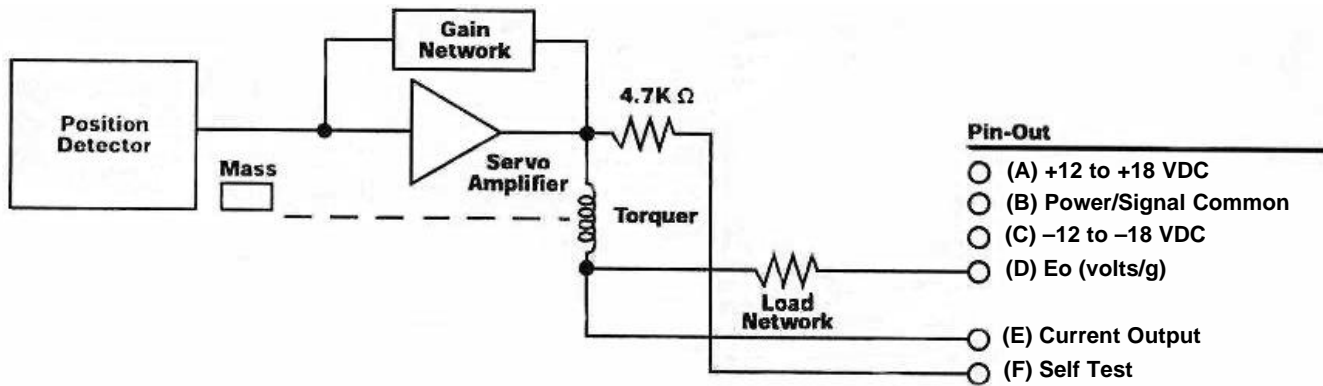
Electrical

Input Voltage, VDC, nominal	± 12 to ± 18 volts DC					
Input Current, mA, nominal	10.0					
Output Impedance, ohms, nominal	10.0k	5.0k	2.5k	5.0k	2.5k	2.5k
Noise, mV rms, maximum	5.0					

Environmental

Temp Range, Operating	$-55^{\circ}C$ to $+95^{\circ}C$
Temp Range, Survival	$-65^{\circ}C$ to $+105^{\circ}C$
Shock	100G, 0.011 second, $\frac{1}{2}$ sine
Seal	MIL-STD-202, Method 112

Outline Dimensions and Block Diagram



JEWELL INSTRUMENTS, LLC

850 PERIMETER ROAD → MANCHESTER, NEW HAMPSHIRE 03103 USA
 TOLL FREE: 800 638-3771 → TEL: 603 669-6400 → FAX: 603 669-5962
 EMAIL: sales@jewellinstruments.com → WEB: www.jewellinstruments.com
 三協インタナショナル株式会社 東京:Tel:03-3662-8100 大阪:Tel:06-6372-5843 名古屋:Tel:052-709-1781