

## Model 1602

### Low Capacity Torque Sensor



#### DESCRIPTION

A line of low capacity rotary transformer torque sensors often ideal for test installations running long-term durability testing. Non-contact nature of the signal transfer virtually eliminates the need for maintenance. High overload protection with high signal output helps prevent potential damage to the sensor. Carrier

frequency excitation provides increased signal/noise immunity. Capacity range from 50 in-oz to 1000 in-oz for small shaft mounting configurations.

#### FEATURES

- 50 in-oz to 1000 in-oz capacity range
- 0.1 % non-linearity and hysteresis
- Integral foot mount (standard)
- Speed sensor (optional)
- High overload protection with high signal output (sensitivity)
- Extended speed range
- Minimal maintenance due to bearings only contact
- Carrier frequency excitation provides increased signal/noise immunity

# Model 1602

## PERFORMANCE SPECIFICATIONS

Characteristic	Measure
Torque range	50, 100, 200, 500, 1000 oz-in
Non-linearity	±0.1 % of rated output
Hysteresis	±0.1 % of rated output
Repeatability	±0.05 % of rated output
Output @ rated capacity	2 mV/V (nominal)

## ENVIRONMENTAL SPECIFICATIONS

Characteristic	Measure
Temperature, operating	-29 °C to 93 °C [-20 °F to 200 °F]
Temperature, compensated	21 °C to 77 °C [70 °F to 170 °F]
Temperature effect, zero	±0.002 % of rated output/°F
Temperature effect, output	±0.002 % of reading/°F

## ELECTRICAL SPECIFICATIONS

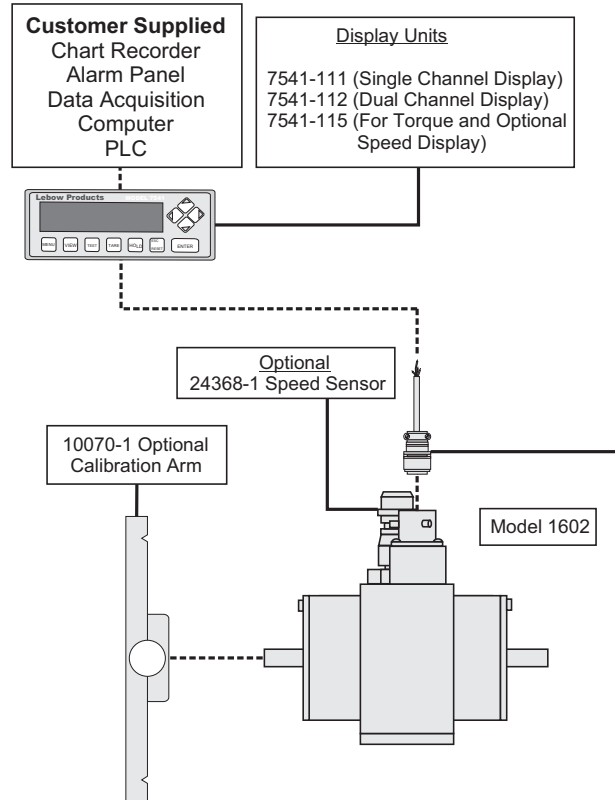
Characteristic	Measure
Excitation (maximum)	3.28 kHz optimum @ 10 Vac max. RMS
Insulation resistance	> 5000 mOhm @ 50 Vdc
Bridge resistance	350 ohm (nominal)
Number of bridges	1
Zero balance	±1.0 % of rated output

## TYPICAL SYSTEM DIAGRAM

### Mating Connectors & Cables

- 064-LW13621 Mating connector
- 064-LW13656 Mating connector, speed pickup
- 064-LW25469 Mating connector, zero velocity speed pickup
- 7200-28-XX\* Mating connector & 6 conductor cable (unamplified unit with sense leads but not shunt cal)
- 7200-106-XX\* Mating connector & 6 conductor cable (for connection to instrument 7541)
- 7204-00-XX\* Speed sensor cable, pigtail leads at instrument
- 7204-16-XX\* Speed sensor cable to instrument 7541
- 7220-47-XX\* Zero velocity speed sensor cable, pigtail leads at instrument
- 7220-119-XX\* Zero velocity speed sensor cable to instrument 7541

\* XX represents length in feet 100ft maximum



## Low Capacity Torque Sensor

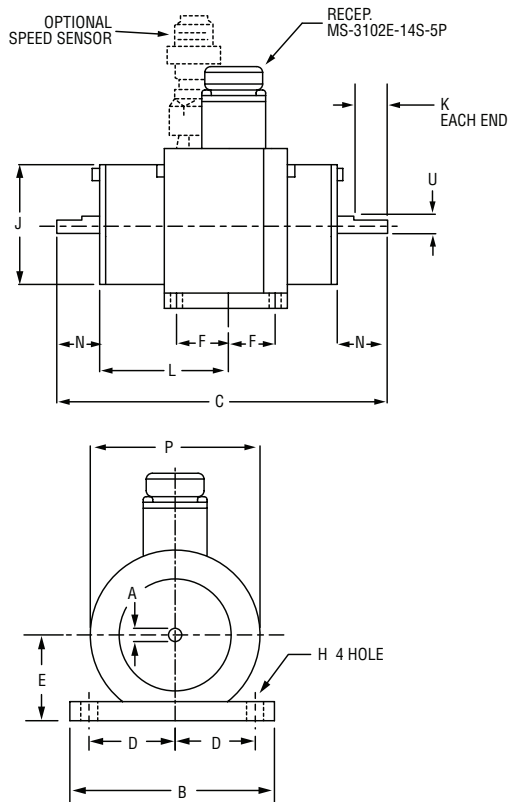
### MECHANICAL SPECIFICATIONS

Model	Capacity oz-in	Capacity N-m	Max speed RPM	Protected for overloads to oz-in	Torsional stiffness lb-in/rad	Rotating inertia lb-in sec <sup>2</sup>	Weight kg [lb]
1602-50*	50	0.35	20000	150	400	$9.06 \times 10^{-4}$	1,48 [3.25]
1602-100	100	0.70	20000	300	1000	$9.06 \times 10^{-4}$	1,48 [3.25]
1602-200	200	1.50	20000	600	2500	$9.06 \times 10^{-4}$	1,48 [3.25]
1602-500	500	3.50	20000	1500	5500	$9.06 \times 10^{-4}$	1,48 [3.25]
1602-1K	1000	7.00	20000	1500	8000	$9.06 \times 10^{-4}$	1,48 [3.25]

\* Output on this capacity only 1 mV/V nominal

### MOUNTING DIMENSIONS

C cm [in]	L cm [in]	N cm [in]	P cm [in]	U cm [in]	K cm [in]	A cm [in]	B cm [in]	D cm [in]	E cm [in]	F cm [in]	H cm [in]	J cm [in]
16,50 [6.50]	5,71 [2.25]	2,50 [1.0]	8,89 [3.50]	0,95 [0.37]	1,90 [0.75]	0,86 [0.34]	10,16 [4.00]	4,44 [1.75]	4,44 [1.75]	2,50 [1.00]	0,50 [0.20]	6,03 [2.38]



For reference only

**Warranty.** Honeywell warrants goods of its manufacture as being free of defective materials and faulty workmanship. Honeywell's standard product warranty applies unless agreed to otherwise by Honeywell in writing; please refer to your order acknowledgement or consult your local sales office for specific warranty details. If warranted goods are returned to Honeywell during the period of coverage, Honeywell will repair or replace, at its option, without charge those items it finds defective. **The foregoing is buyer's sole remedy and is in lieu of all warranties, expressed or implied, including those of merchantability and fitness for a particular purpose. In no event shall Honeywell be liable for consequential, special, or indirect damages.**

While we provide application assistance personally, through our literature and the Honeywell web site, it is up to the customer to determine the suitability of the product in the application.

## **WARNING**

### **PERSONAL INJURY**

- DO NOT USE these products as safety or emergency stop devices or in any other application where failure of the product could result in personal injury.

**Failure to comply with these instructions could result in death or serious injury.**

## **WARNING**

### **MISUSE OF DOCUMENTATION**

- The information presented in this datasheet is for reference only. DO NOT USE this document as product installation information.
- Complete installation, operation and maintenance information is provided in the instructions supplied with each product.

**Failure to comply with these instructions could result in death or serious injury.**

### **Find out more**

Honeywell serves its customers through a worldwide network of sales offices, representatives and distributors. For application assistance, current specifications, pricing or name of the nearest Authorized Distributor, contact your local sales office. To learn more about Honeywell's test and measurement products, call **+1-614-850-5000**, visit **<http://measurementsensors.honeywell.com>**, or e-mail inquiries to **[info.tm@honeywell.com](mailto:info.tm@honeywell.com)**

Sensing and Control  
Honeywell  
1985 Douglas Drive North  
Golden Valley, MN 55422 USA  
**[honeywell.com](http://honeywell.com)**

008777-2-EN IL50 GLO  
July 2014  
Copyright © 2014 Honeywell International Inc. All rights reserved.

# Honeywell