

# DSI-2000 Series Digital Slope Indicator Display



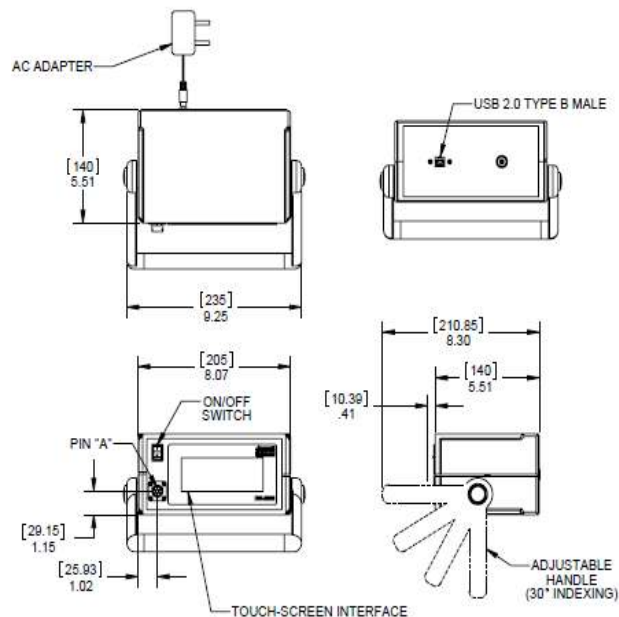
*Making Sense out of Motion...*

**Bench Top High  
Precision and Accurate  
Digital Display for a  
variety of applications.**

The Jewell **DSI-2000 Series** is a microcontroller based touch screen display solution for pairing with most of Jewell Instruments Inclinometer offerings. The DSI performs the real time sampling and geometric conversion from your +/- 5VDC output of the inclinometer or serves as a limited range high precision voltage tester.



**Outline Drawing: DSI-2000 Series Digital Slope Indicator**



**PIN-OUT Drawing: DSI-2000 Series Digital Slope Indicator**

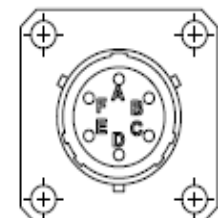
## Features & Benefits

- Extremely High Accuracy of  $\pm 0.003^\circ$
- Customizable
- In-Field Calibration Capabilities
- USB In and USB Out (coming soon)
- 24 Bit Resolution
- Tare Function
- Standard US and European Power
- Dual Axis (coming soon)
- Temperature Compensation of the Sensors
- Touch Screen Interface
- Change Display Unit Reading Warning System Built-In
- Displays Multiple Forms of Output Simultaneously.

## Applications

- Aircraft Maintenance
- Aircraft Research and Development
- Solar Mirror Alignment
- Emergency Vehicle Stabilization
- Nuclear Power Plant Maintenance and Control

PIN	FUNCTION
A	+15V
B	COM / INCLINOMETER RETURN
C	-15V
D	N/C
E	INCLINOMETER INPUT SIGNAL
F	N/C



CONNECTOR: PT02E-10-6S  
MATE:PT06E-10-6P(SR)

**Jewell Instruments LLC, 850 Perimeter Road, Manchester, NH 03103**

**sales@jewellinstruments.com • www.jewellinstruments.com • Tel (800) 227-5955**

# DSI-2000 Series Digital Slope Indicator Display



*Making Sense out of Motion...*

<b>Specifications:</b>	<b>Value:</b>
Processor	29.4 MHz Minimum
Flash Memory	512K Minimum
Embedded Platform	Proprietary
Operating Program Language	C
Analog Inputs	24-bit Resolution Minimum
Input Power	24VDC
Output Power (Sensor Excitation)	±12 to ±18V
Display Type	Touchscreen Backlit Color LCD
Display Update Rate	50Hz
Averaging/Integration Period	User Selectable
Tare Function	Yes
Tare Function Indicator	Visual on Screen
Calibration to Inclinometer	Includes bias, scale factor, misalignment
Calibration Protection	Password Protection
Operational Temperature Range	0°C to +45°C
Survival Temperature Range	-15°C to +55°C
Digital Communication	USB

**Jewell Instruments LLC, 850 Perimeter Road, Manchester, NH 03103**  
sales@jewellinstruments.com • www.jewellinstruments.com • Tel (800) 227-5955